

## RT4531 Evaluation Board

### *Purpose*

The RT4531 is an highly efficient, dual-channel white-LED driver designed for LCD display backlighting. The device can power up to 10 series LEDs at up to 20mA per string. It could be power source for smart phone and tablet Backlighting.

## Table of Contents

Introduction.....	2
Key Performance Summary Table.....	2
Bench Test Setup Conditions .....	3
Schematic, Bill of Materials and Board Layout.....	6
More Information.....	8
Important Notice For Richtek Reference Designs .....	8

## Introduction

### General Product Information

The RT4531 is a dual-channel current source with high efficiency asynchronous boost converter for backlight application. The RT4531 has built-in 1.5A/36V power MOSFET and two high current-matching capability current sink, so RT4531 can drives up 10s2p white LED. The RT4531 can allow very low voltage headroom control, therefore to improve LED strings efficiency effectively. The RT4531 supports both PWM dimming and 1-wire digital dimming interface and it can realize 10 bit brightness code programming.

### Product Feature

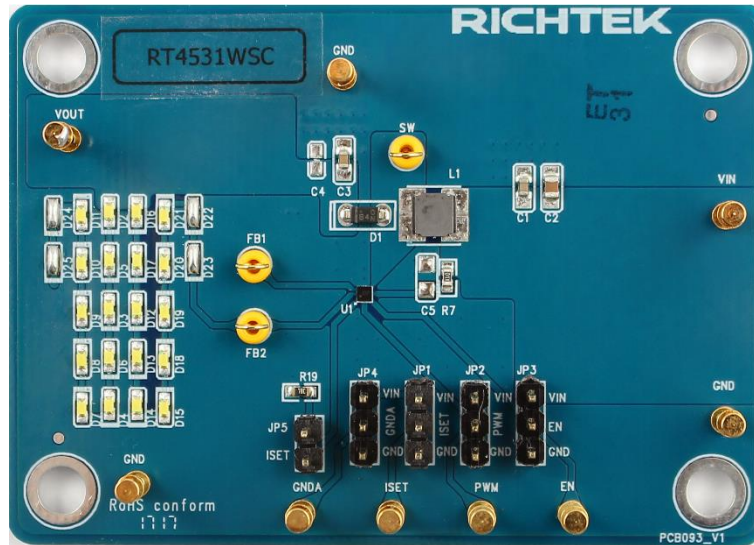
- Input Voltage Range : 2.5V to 5.5V
- Internal Soft-Start, UVLO, OTP, OCP, OVP
- Typical Shutdown Current : < 1 $\mu$ A
- 1MHz Switching Frequency
- Drives Up to 10 WLEDs in Two Strings
- Independent PWM Dimming and 1-Wire Dimming Control
- PWM Dimming Frequency from 20k to 100kHz
- Up to 10 Bit Dimming Resolution
- LED Current Accuracy  $\pm$  2% (> 5mA)
- LED Current Matching  $\pm$  2% (> 5mA)
- Built-in IFB1/IFB2 pin OVP, Short Protection, and Un-Use Detection

### Key Performance Summary Table

Key Features	Evaluation Board Number : PCB093_V1
Default Input Voltage	2.5V to 5.5V
Max Output Current	20mA
Default Output Voltage	31V
Default Marking & Package Type	RT4531WSC, WL-CSP1.35x1.35-9(BSC)
Operation Frequency	Steady 1MHz at all loads
Protection	UVLO, OVP, OCP, Thermal Shutdown

**Bench Test Setup Conditions**

**Headers Description and Placement**



Carefully inspect all the components used in the EVB according to the following Bill of Materials table, and then make sure all the components are undamaged and correctly installed. If there is any missing or damaged component, which may occur during transportation, please contact our distributors or e-mail us at [evb\\_service@richtek.com](mailto:evb_service@richtek.com).

**Test Points**

The EVB is provided with the test points and pin names listed in the table below.

Pin Name	Pin No.	Comment (expected waveforms or voltage levels on test points)
<b>ISET</b>	A1	Full-Scale LED Current Set Pin. Connecting a resistor to the pin programs the full-scale LED current.
<b>IFB2</b>	A2	Single Output 2 for Backlight LED.
<b>IFB1</b>	A3	Single Output 1 for Backlight LED.
<b>PWM</b>	B1	Enable Control, and PWM Dimming Signal Input.
<b>AGND</b>	B2	Analog Ground.
<b>GND</b>	B3	Power Ground.
<b>EN</b>	C1	Enable Control, and 1-Wire Dimming Signal Input.
<b>VIN</b>	C2	Supply Input Pin.
<b>SW</b>	C3	Switch Node of Boost Converter.

### **Power-up & Measurement Procedure**

1. Apply 3.6V nominal input power supply ( $2.5V < V_{IN} < 5.5V$ ) to the VIN and GND terminals.
2. The EN voltage is pulled to logic high by internal circuit to enable operation. Drive EN high ( $>1.4V$ ) to enable operation or low ( $<0.4V$ ) to disable operation. Pull EN pin to High pin that make EN voltage equal to VIN.
3. There is a 2-pin header JP3 “EN” for enable control. To use a jumper at “H” option to tie EN test pin to input power VIN for enabling the device. Inversely, to use a jumper at “L” option to tie EN test pin and ground GND for disabling the device.
4. The JP2 is the PWM control pin.
5. The ILED setting supports PWM dimming as below.

### **Output ILED Setting**

#### **a. 1-wire Brightness Dimming**

The RT4531 is built-in a 10-bit resolution brightness control. The EN pin features a simple 1-wire interface to allow digital brightness control. If the 1-wire dimming is needed, signals of a specific pattern should be input detection window into EN pin; Otherwise, PWM pin need to be enabled. (refer to Timing Diagram1 for Continuous Coding). The Register Program and register map give an overview of the protocol used by RT4531. By the 1-wire Brightness Dimming, a master can program the 10-bit code D1 (LSB) to D10 (MSB) to any of 1024 steps with a single command. The programmed value will be stored in an internal register and set the dual-channel current according to Equation 2. The code will be reset to default value when the IC is shut down or disabled.

$$I_{FBX} = I_{FB} \times \frac{\text{DAC code}}{1024} \quad (2)$$

Where :

$I_{FB}$  : the full-scale LED current set by the Riset at ISET pin.

Code : the 10-bit DAC code D1 to D10 programmed by 1-wire interface. To enter 1-wire dimming mode, the following digital pattern on the EN pin must be recognized by the IC when the IC starts from the shutdown mode.

1. Pull the EN pin high to enable the RT4531 and start the detection window for digital dimming.
2. After the digital dimming detection delay time ( $T_{es\_delay}$ ,  $>300\mu s$ ), drive the EN low for more than the detection time ( $T_{es\_det}$ ,  $>400\mu s$ ).
3. Pull the EN pin high after the detection time ( $>400\mu s$ ) and before the detection window ( $T_{es\_win}$ ,  $<1.23ms$ ), once the above 3 conditions are met, the IC immediately enters the 1-wire dimming mode. The digital dimming communication can start before the detection window expires. Once the dimming mode is selected, it cannot be changed without another start up. This means the IC needs to be shut down by pulling the EN low for 2.5ms and restarts. See the dimming mode detection and softstart for a graphical explanation. (see Timing Diagram1 for 1-wire Continuous Coding).

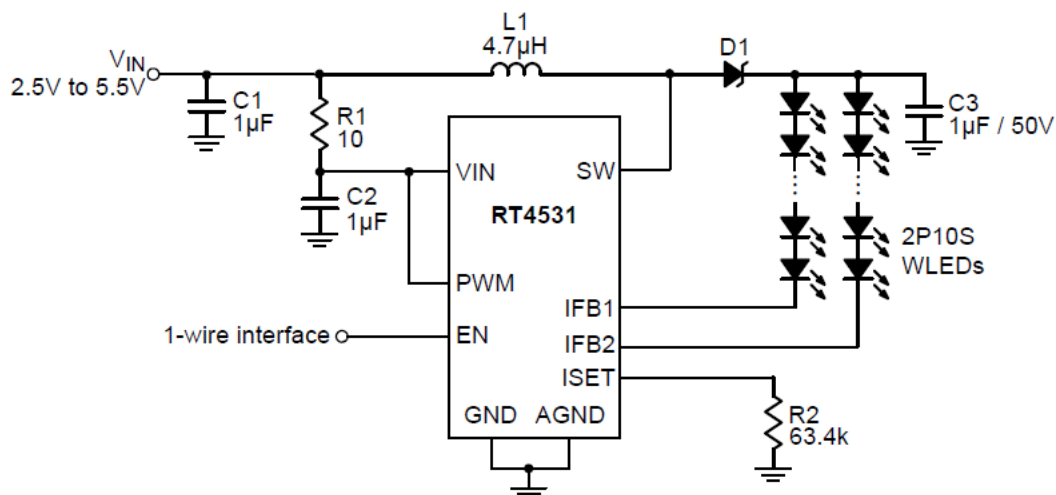


Figure 1. RT4531 1-wire Dimming Typical Application

**b. PWM Brightness Dimming**

Besides programmable built-in 1-wire backlight LED current control, the RT4531 features a built-in PWM dimming current control by PWM pin, offering a linear current dimming by external clock source. In order to guarantee the PWM dimming resolution, recommending PWM dimming frequency have to be operated at range of 20kHz to 100kHz. When the PWM pin is constantly high, the dual channel current is regulated to full-scale according to Equation 1. The PWM pin allows PWM signals to reduce this regulation current according to the PWM duty cycle; therefore, it achieves LED brightness dimming. The relationship between the PWM duty cycle and  $I_{FBx}$  current is given by Equation 3.

$$I_{FBx} = I_{FB} \times \text{Duty}(\%) \quad (3)$$

Where :

$I_{FBx}$  is the current of each current sink,  $I_{FB}$  is the fullscale LED current, Duty is the duty cycle information detected from the PWM signals.

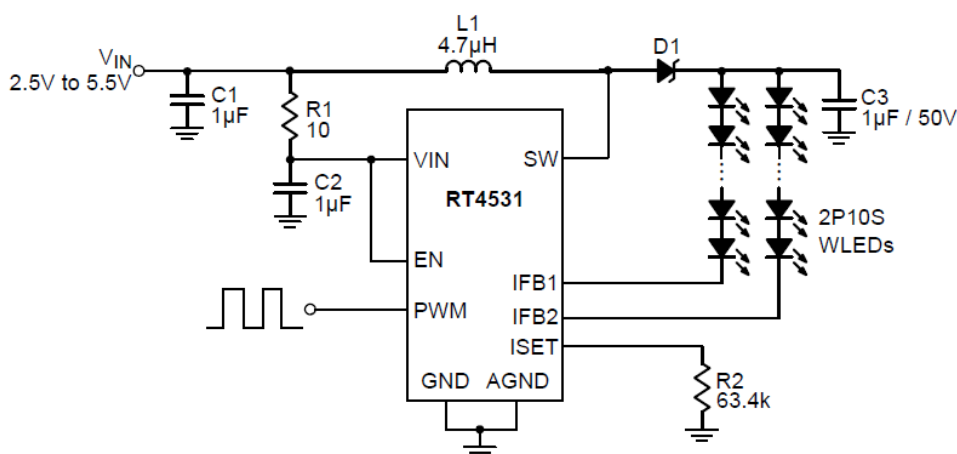
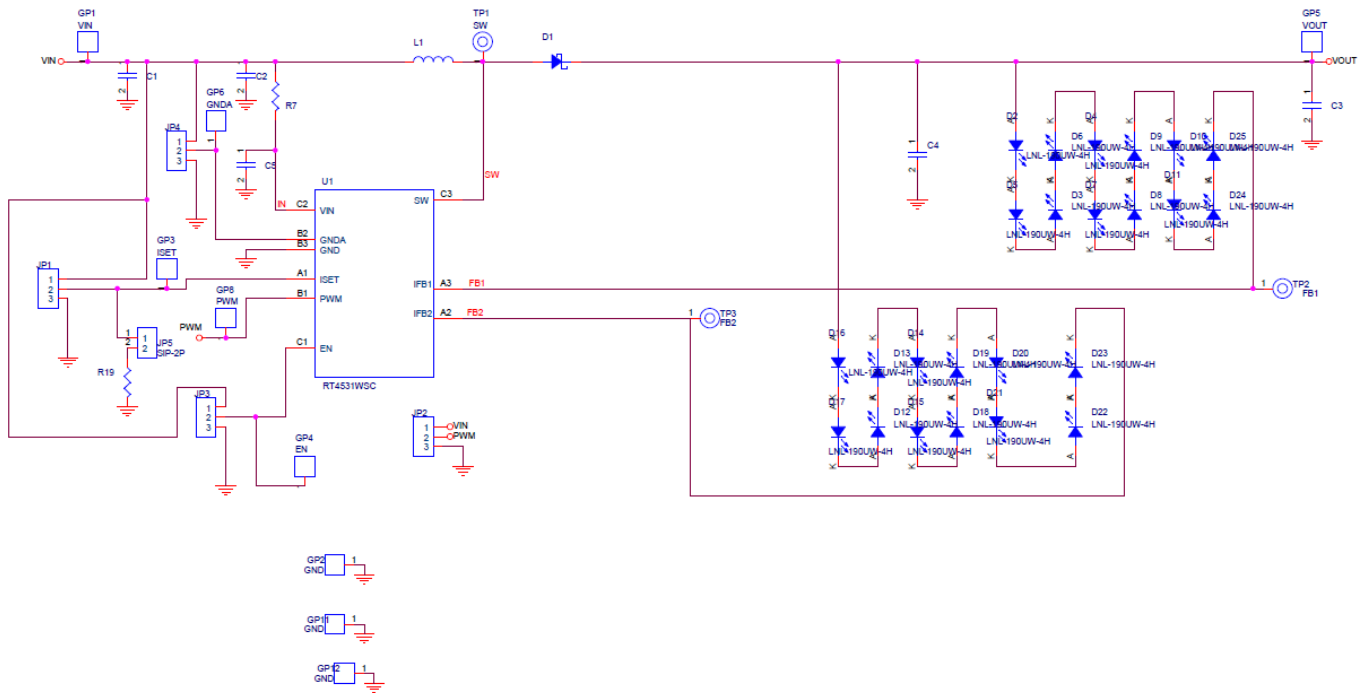


Figure 2. RT4531 PWM Dimming Typical Application

**Schematic, Bill of Materials & Board Layout**

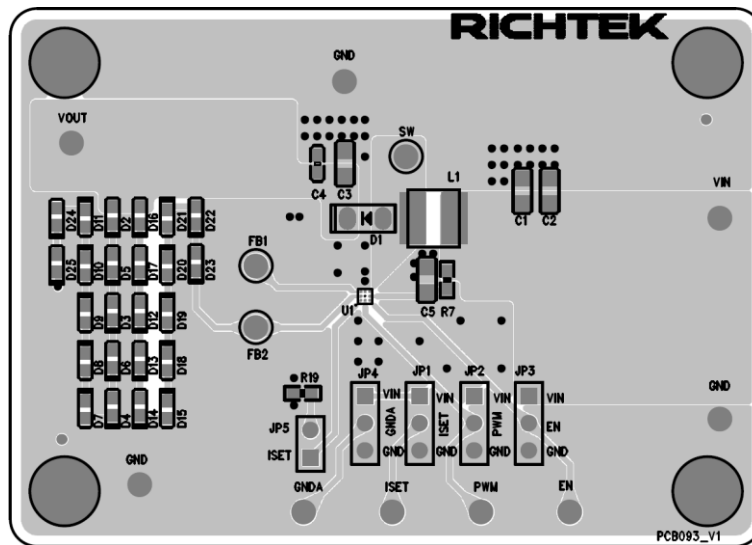
**EVB Schematic Diagram**



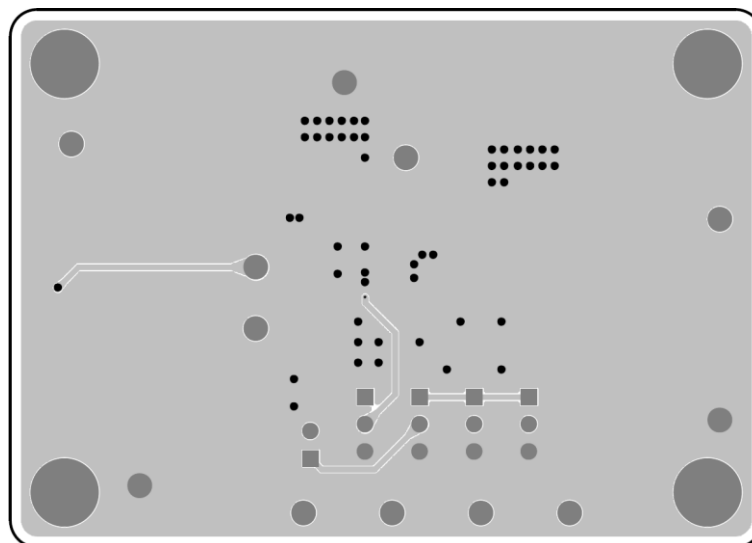
**Bill of Materials**

Reference	Qty	Part Number	Description	Package	Manufacturer
U1	1	RT4531WSC	WLED Driver	WL-CSP-9B 1.35x1.35 (BSC)	RICHTEK
C1, C3	1	C1608X5R1E105K080AC	1 $\mu$ F/25V/X5R/0603	C-0603	TDK
C2	1	C2012X7R1H105KT000N	1 $\mu$ F/50V/X7R/0805	C-0805	TDK
D1	1	SS0540_T1	SS0540	D-1206	PANJIT
D2, D3, D4, D5, D6, D7, D8, D9, D10, D11, D12, D13, D14, D15, D16, D17, D18, D19, D20, D21	24	LNL-190UW-4H	白光 LED	D-0603	光楠
D22, D23, D24, D25	4		SHORT		
L1	1	NR4018T4R7M	4.7 $\mu$ H	L-SH4018	Taiyo Yuden
R19	1	RTT036342FTP	63.4k/0603/ $\pm$ 1%	R-0603	旺詮
R7	1	WR06X10R0FTL	10 $\Omega$ /0603/ $\pm$ 1%	R-0603	WALSIN

**PCB Layout**



PCB Layout—Top View



PCB Layout—Bottom Side

### ***More Information***

For more information, please find the related datasheet or application notes from Richtek website <http://www.richtek.com>.

### ***Important Notice for Richtek Evaluation Board***

THIS DOCUMENT IS FOR REFERENCE ONLY, NOTHING CONTAINED IN THIS DOCUMENT SHALL BE CONSTRUED AS RICHTEK'S WARRANTY, EXPRESS OR IMPLIED, UNDER CONTRACT, TORT OR STATUTORY, WITH RESPECT TO THE PRESENTATION HEREIN. IN NO EVENT SHALL RICHTEK BE LIABLE TO BUYER OR USER FOR ANY AND ALL DAMAGES INCLUDING WITHOUT LIMITATION TO DIRECT, INDIRECT, SPECIAL, PUNITIVE OR CONSEQUENTIAL DAMAGES.